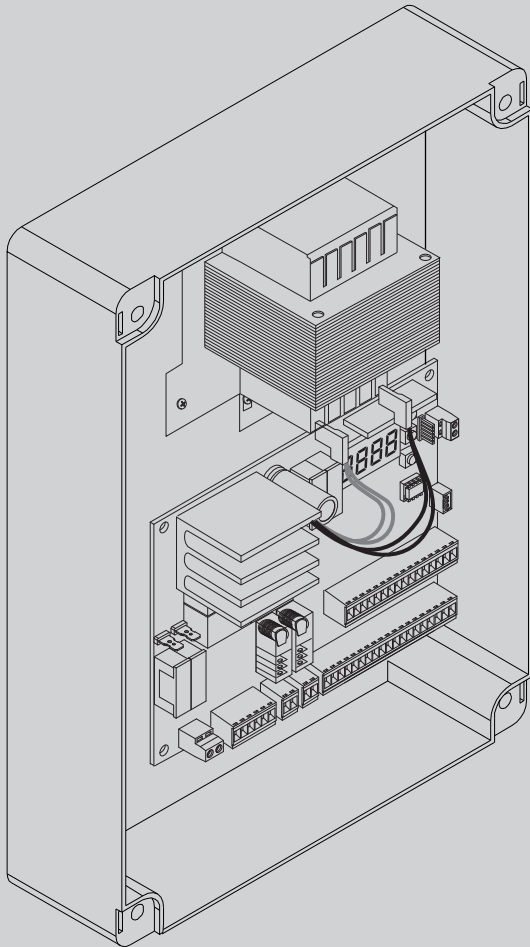




D814124 0AA00\_01 29-01-20

CONTROL PANEL



INSTALLATION MANUAL

THALIA P

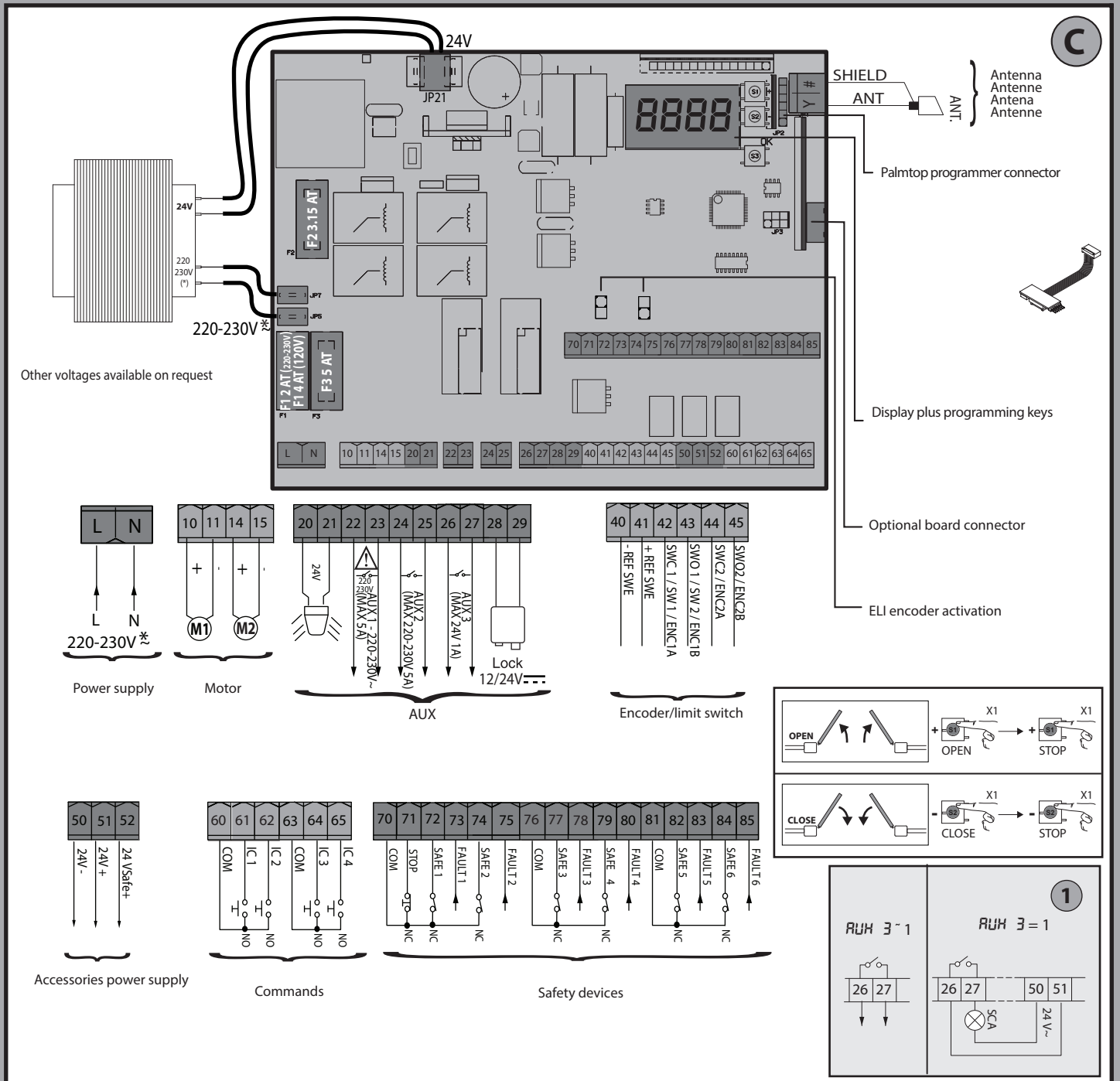
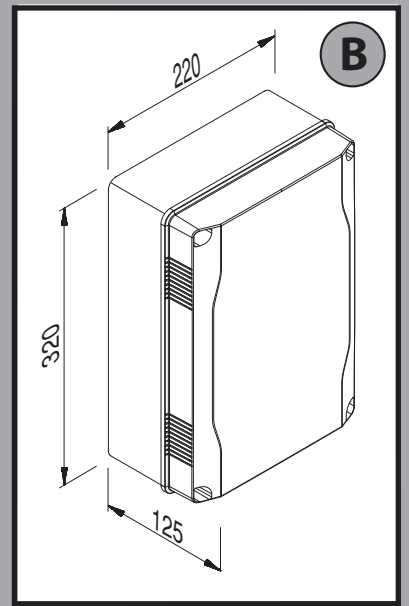
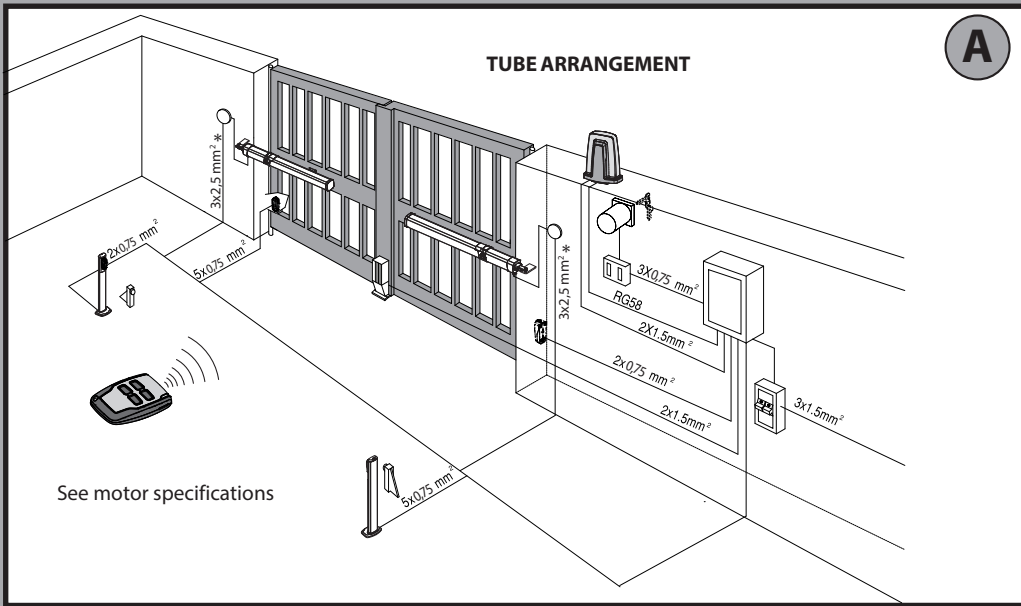
BFT



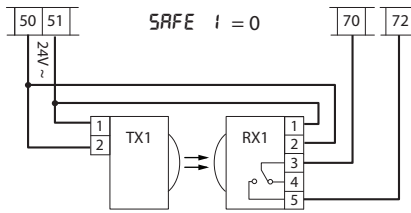
AZIENDA CON SISTEMA DI GESTIONE CERTIFICATO DA DNV GL = ISO 9001 = = ISO 14001 =

Caution! Read "Warnings" inside carefully

# QUICK INSTALLATION

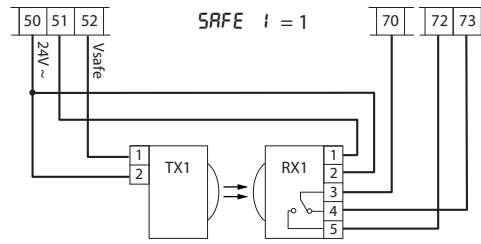


D1



Photocells not checked (Check every 6 months)

D2



Photocell checked

## ENGLISH

### IT IS NECESSARY TO FOLLOW THIS SEQUENCE OF ADJUSTMENTS:

- 1 - Adjusting the limit switches
- 2 - Autoset
- 3 - Programming remote controls
- 4 - Setting of parameters/logic, where necessary

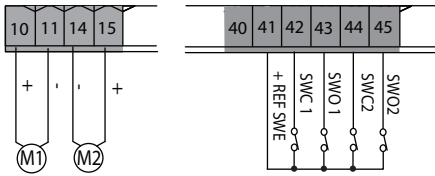
After each adjustment of the end stop position a new autoset is required.  
After each modification of the motor type, a new autoset must be carried out

If the simplified menu is used:

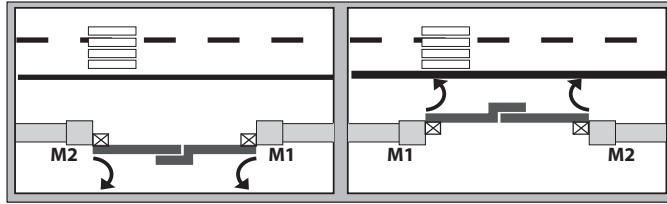
- In GIUNO ULTRA BT A 20 - GIUNO ULTRA BT A 50 - E5 BT A18 - E5 BT A12 motors: phase 1 (end stop adjustment) is included in the simplified menu.
- In other motors: phase 1 (end stop adjustment) must be carried out before activating the simplified menu

# ELI 250 BT

ε ιΡο ΡοτορΕ - εΥΡΕ dE ΡοτΕυρ - ΡοτορΕντΥΡ - Ροτορ εΥΡΕ - ε ιΡο Ροτορ: 1



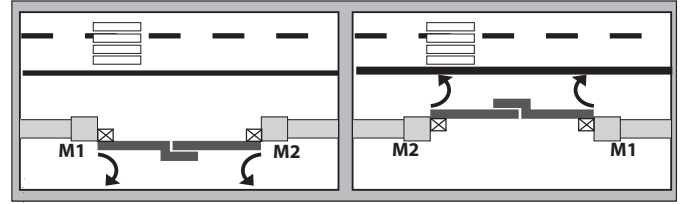
ELI 250 BT	
Maximum power n	180W
Maximum cycle	continuous cycle



open in other direct.

= 0 ( int )

change mot = 0



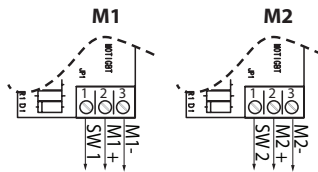
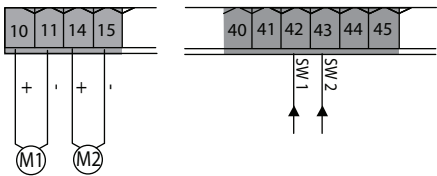
open in other direct.

= 1 ( EΗε )

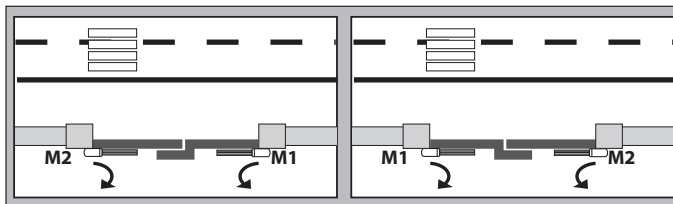
change mot = 0

# PHOBOS N BT

ε ιΡο ΡοτορΕ - εΥΡΕ dE ΡοτΕυρ - ΡοτορΕντΥΡ - Ροτορ εΥΡΕ - ε ιΡο Ροτορ: 2



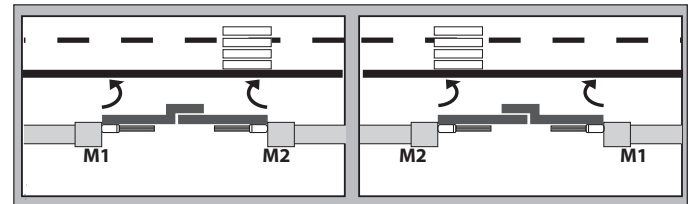
PHOBOS N BT	
Maximum power	40W
Maximum cycle	S3 13s-1-13s-1 x30 pause 90min.



open in other direct.

= 0 ( int )

change mot = 0



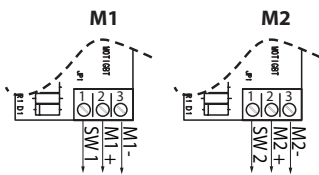
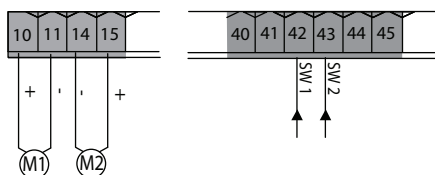
open in other direct.

= 1 ( EΗε )

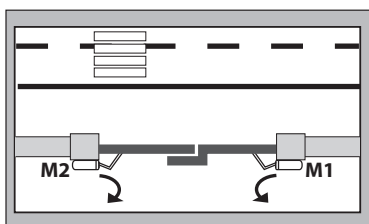
change mot = 0

# IGEA BT

ε ιΡο ΡοτορΕ - εΥΡΕ dE ΡοτΕυρ - ΡοτορΕντΥΡ - Ροτορ εΥΡΕ - ε ιΡο Ροτορ: 3



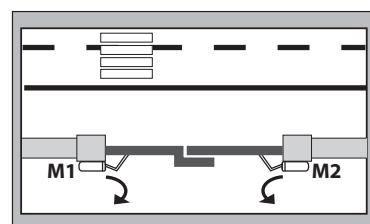
IGEA BT	
Maximum power	70W
Maximum cycle	continuous cycle



open in other direct.

= 0 ( int )

change mot = 0



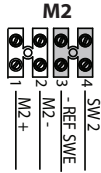
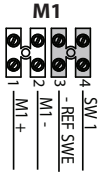
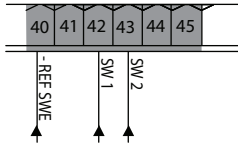
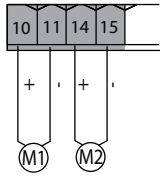
open in other direct.

= 1 ( EΗε )

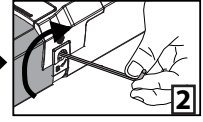
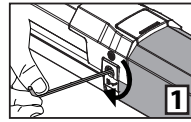
change mot = 0



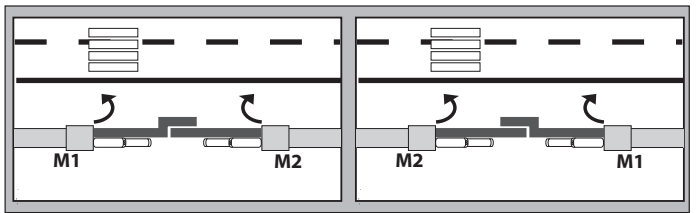
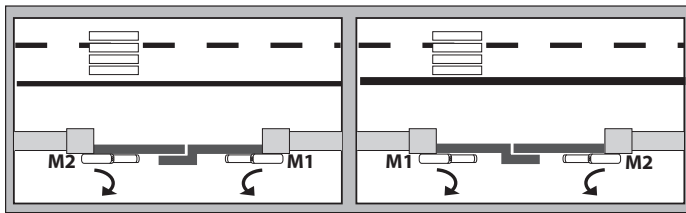
# GIUNO ULTRA тип ПодарЕ - type de PotEUR - PotarEntYP - Potar tYPE - тип Подар: 8



rEG. Fc - LSG AdJ - rEGLFc - EndSchE inSt



	GIUNO ULTRA BT A 20	GIUNO ULTRA BT A 50
Maximum power	90W	90W
Maximum cycle	S3 10s-5-14s-5 x40 - pause 90 min.	S3 10s-5-14s-5 x40 - pause 90 min.
LEAF MAX	150 kg	150 - 400 kg
	2 m	5 - 2 m
TYPE OF USE - SEMI-INTENSIVE	Semi-intensive	



open in other direct.

= 0 (Int)

open in other direct.

= 1 (Ext)

change mot = 0

change mot / = 0

**ATTENTION:** with actuators with integrated locks, the permanently active slowdown to a value higher than 5 is mandatory.







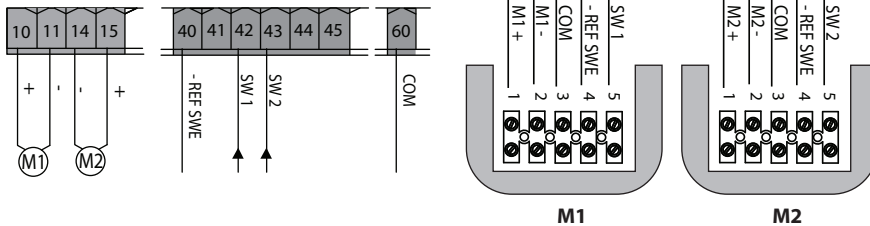
**E5 BT A18**    է ԻՔՕ ՈւոտորԷ - էՄՔԷ ժԷ ՈւոտԷՍՄ - ՈւոտորԷնէՄՔ - Ուոտոր էՄՔԷ - է ԻՔՕ Ուոտոր: **11**

**E5 BT A12**    է ԻՔՕ ՈւոտորԷ - էՄՔԷ ժԷ ՈւոտԷՍՄ - ՈւոտորԷնէՄՔ - Ուոտոր էՄՔԷ - է ԻՔՕ Ուոտոր: **12**

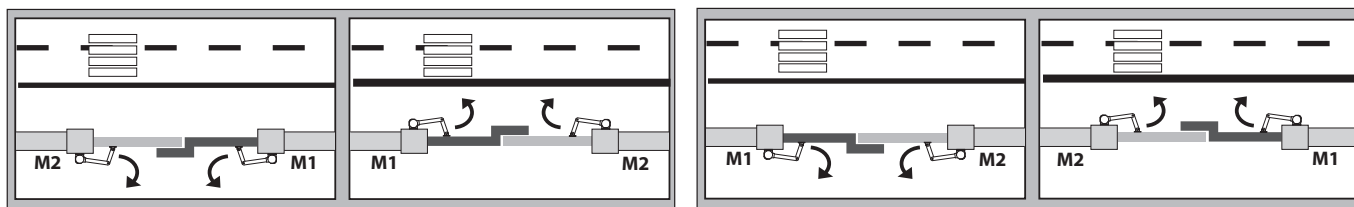
**E**

D814124 0AA00\_01

Select the correct



	E5 BT A18	E5 BT A12
Maximum power	<b>40W</b>	<b>40W</b>
Maximum cycle	20 cycles/h	100 cycles/h
LEAF MAX	see the motor's manual	see the table below
Maximum cable length	<b>30m</b>	<b>30m</b>



open in other direct.

**= 0 (int)**

open in other direct.

**= 1 (EHt)**

change mot = **0**

change mot = **0**

**E5 BT A12**

ON pedestrian gates, adjust the speed so as to limit the energy of the leaf within a maximum value of 1.69 Joule (as required by the EN16005 regulation). Use the table to determine the minimum closing times between 90° and 10°.

Leaf width (mm)	Leaf weight (kg) P				
	50	60	70	80	90
750 mm	3,0 s	3,0 s	3,0 s	3,0 s	3,5 s
850 mm	3,0 s	3,0 s	3,5 s	3,5 s	4,0 s
1000 mm	3,5 s	3,5 s	4,0 s	4,0 s	4,5 s
1200 mm	4,0 s	4,5 s	4,5 s	5,0 s	5,5 s

The approaching phase (from 10° to the limit switch position) must take place in at least 1.5 s.

**Example:** if the leaf weighs 80 kg and has a width of 1000 mm, adjust the manoeuvre speed from 90° and 10° in at least 4.0 s.

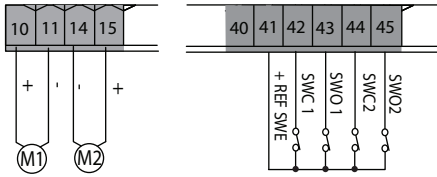
For intermediate values, use the higher value: if the leaf weighs 75 kg consider a value of 80 kg, if its width is 1100 mm use a value of 1200 mm.

**IMPORTANT: Low-energy operation is not considered a proper safety measure if the leaf is used by elderly, invalid, disabled people and children. In this case, provide additional safety measures, according to the provisions of the legislation in force and your local on-site risk assessment.**

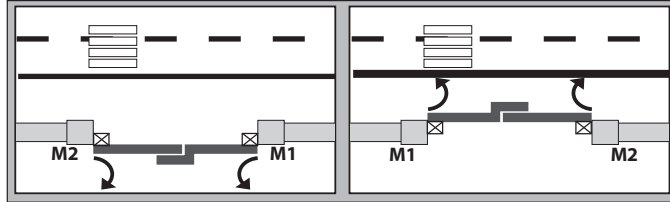


**ELI BT A 40 LS** *ε ΙΡο ΡοτορΕ - εΤΥΡΕ dE ΡοτΕUρ - ΡοτορΕηΤΥΡ - Ροτορ εΤΥΡΕ - ε ΙΡο Ροτορ:* **13**  
with limit stop

**E**

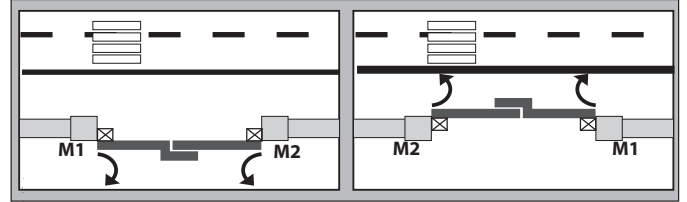


ELI BT A 40 LS	
Maximum power	<b>180W</b>
Maximum cycle	continuous cycle



open in other direct.  
change mot = **0**

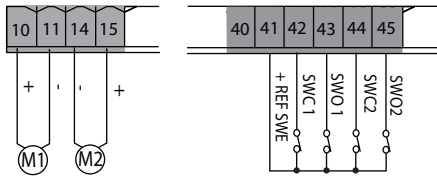
= **0 (int)**



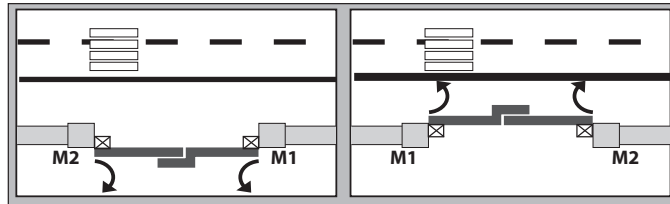
open in other direct.  
change mot = **0**

= **1 (EHL)**

**ELI BT A35 LS** *ε ΙΡο ΡοτορΕ - εΤΥΡΕ dE ΡοτΕUρ - ΡοτορΕηΤΥΡ - Ροτορ εΤΥΡΕ - ε ΙΡο Ροτορ:* **14**  
with limit stop

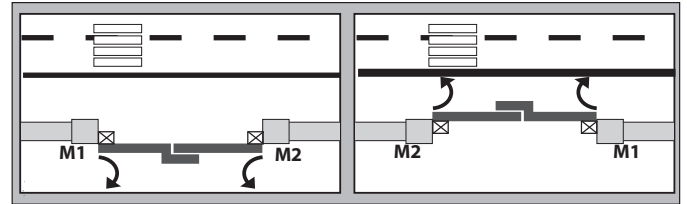


ELI BT A 35 LS	
Maximum power	<b>40W</b>
Maximum cycle	40 cycles/h



open in other direct.  
change mot = **0**

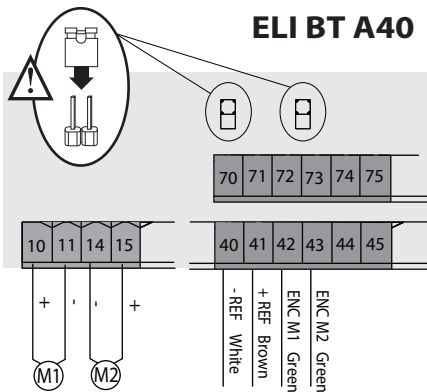
= **0 (int)**



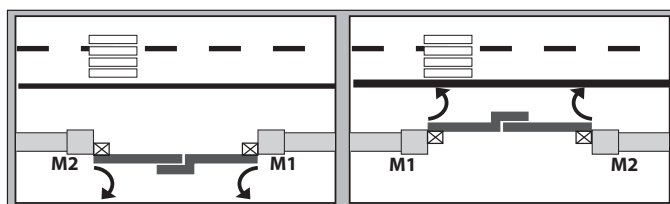
open in other direct.  
change mot = **0**

= **1 (EHL)**

**ELI BT A40** *ε ΙΡο ΡοτορΕ - εΤΥΡΕ dE ΡοτΕUρ - ΡοτορΕηΤΥΡ - Ροτορ εΤΥΡΕ - ε ΙΡο Ροτορ:* **15**

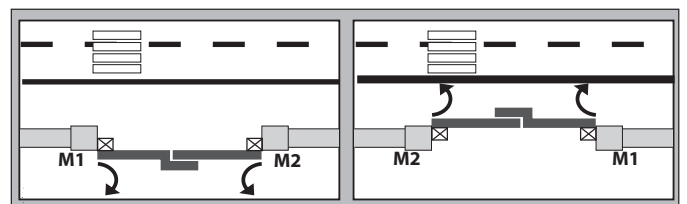


ELI BT A 40	
Maximum power	<b>180W</b>
Maximum cycle	continuous cycle



open in other direct.  
change mot = **0**

= **0 (int)**



open in other direct.  
change mot = **0**

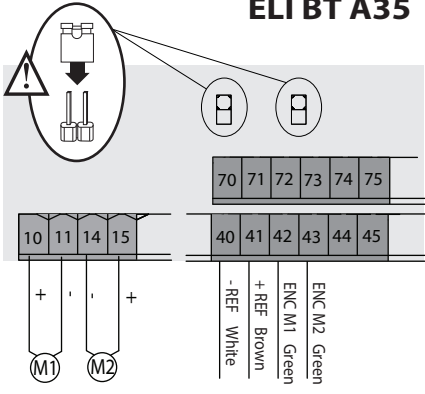
= **1 (EHL)**

# ELI BT A35

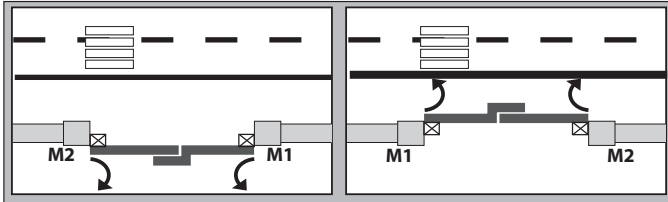
тип двигателя - тип де факто - двигатель - тип - тип двигателя

16

E



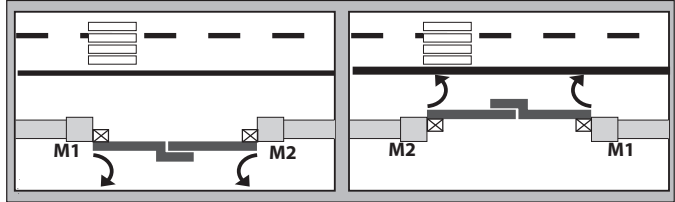
ELI BT A35	
Maximum power	40W
Maximum cycle	40 cycles/h



open in other direct.

change mot = 0

= 0 (int)

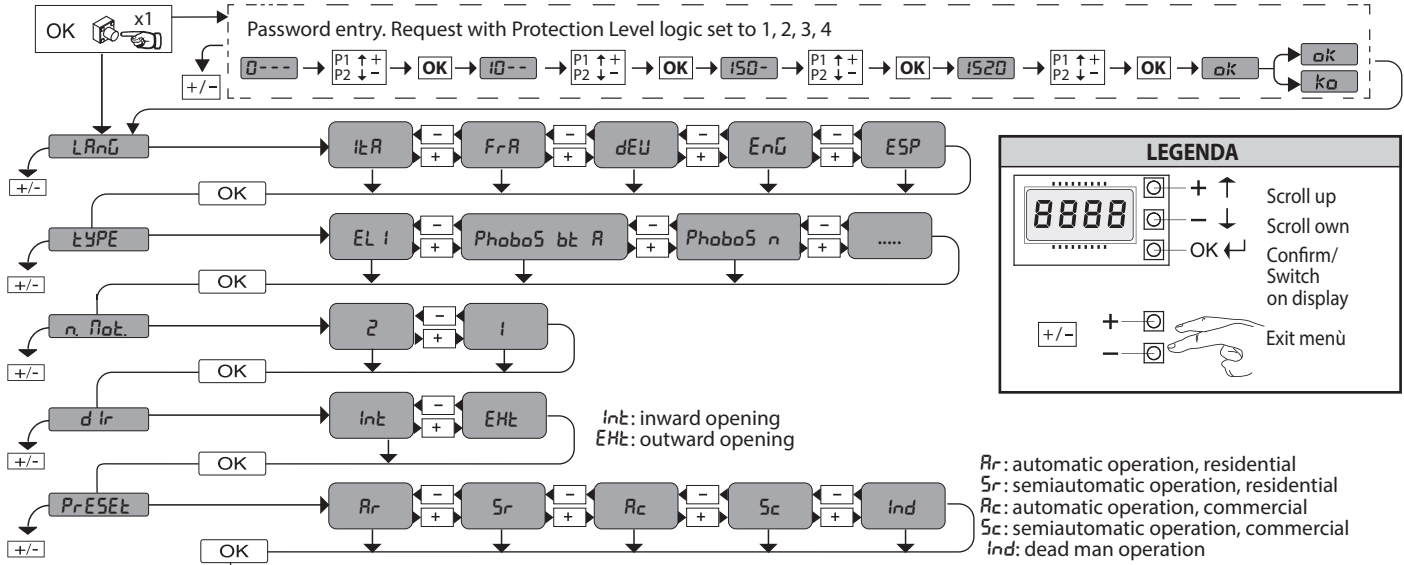


open in other direct.

change mot = 0

= 1 (EHL)

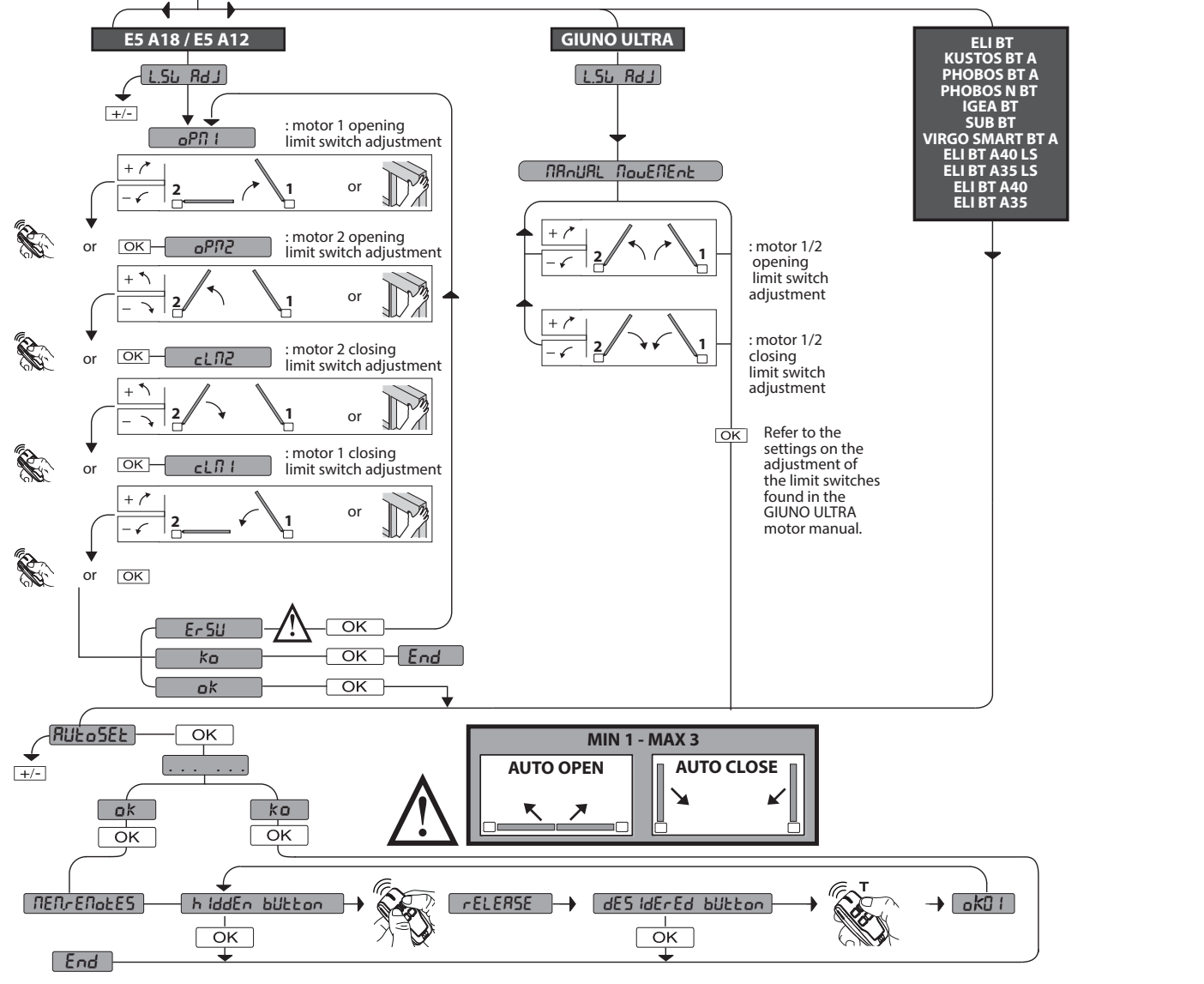
# SIMPLIFIED MENU

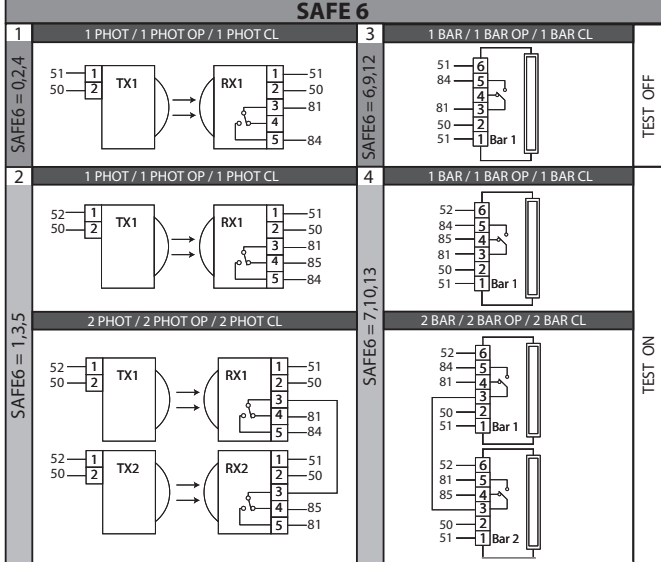
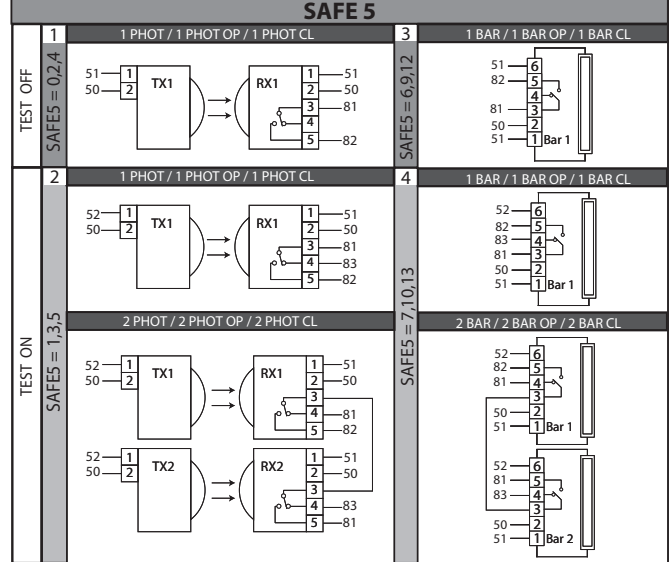
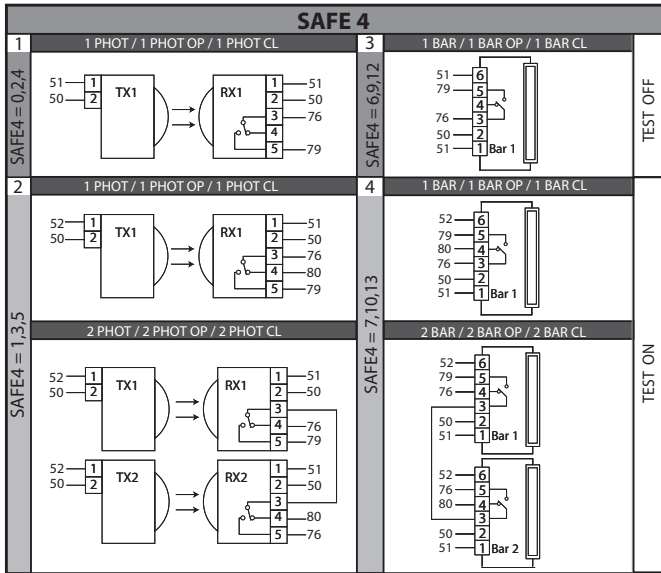
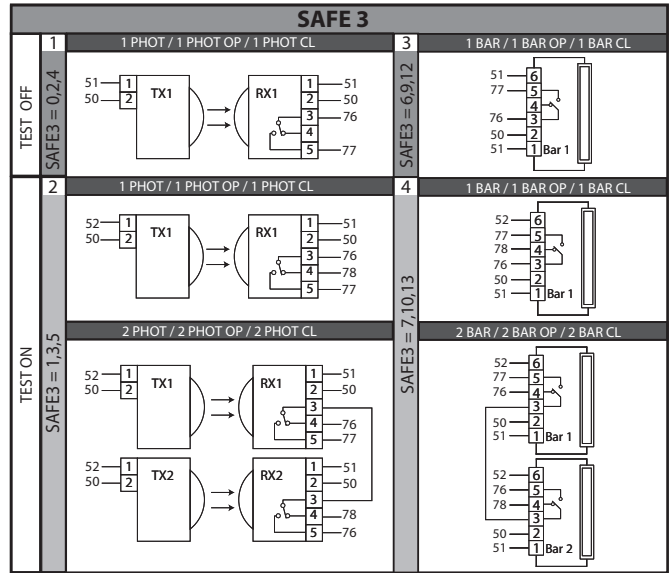
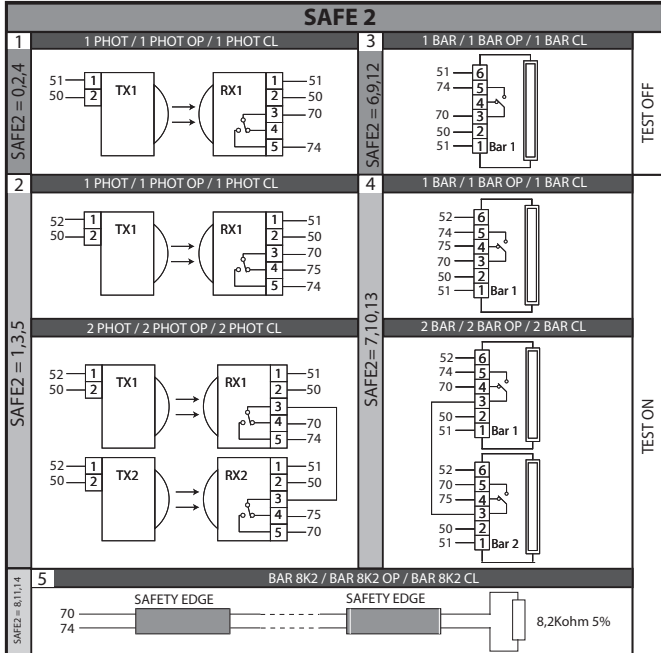
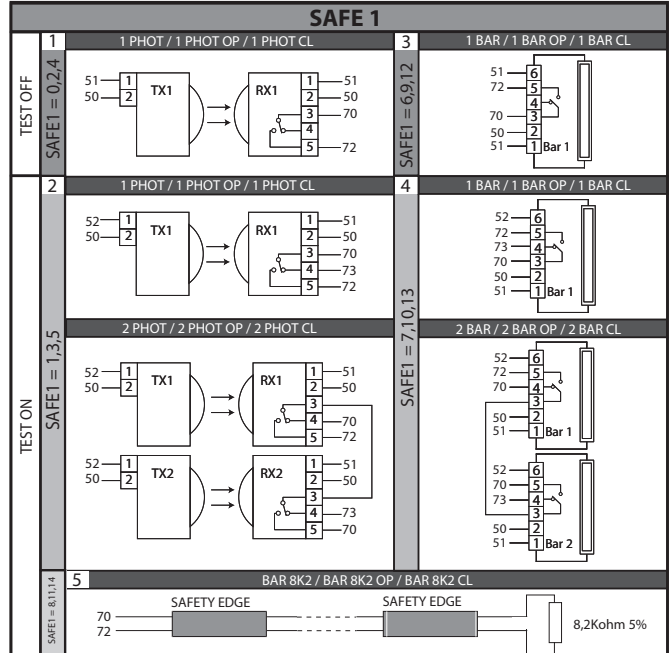
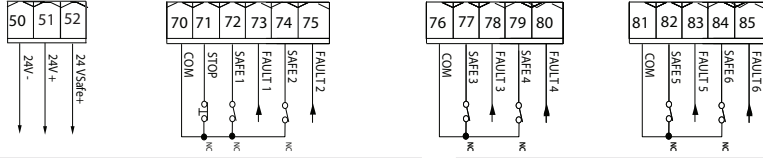


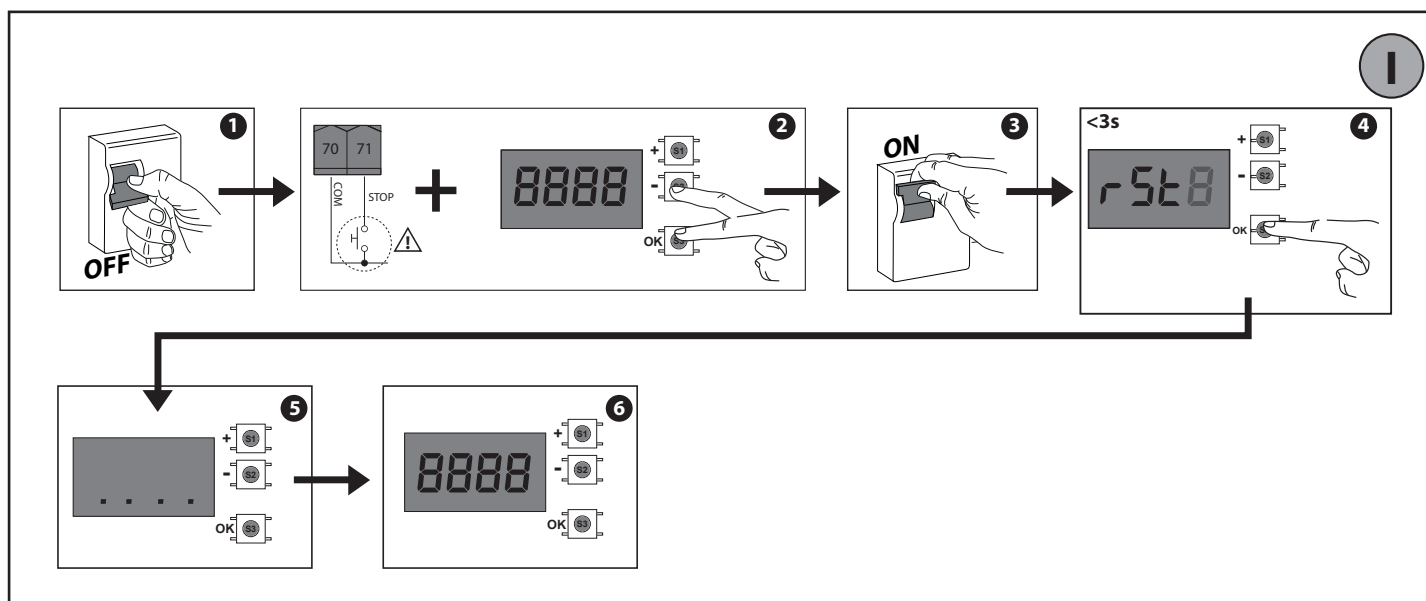
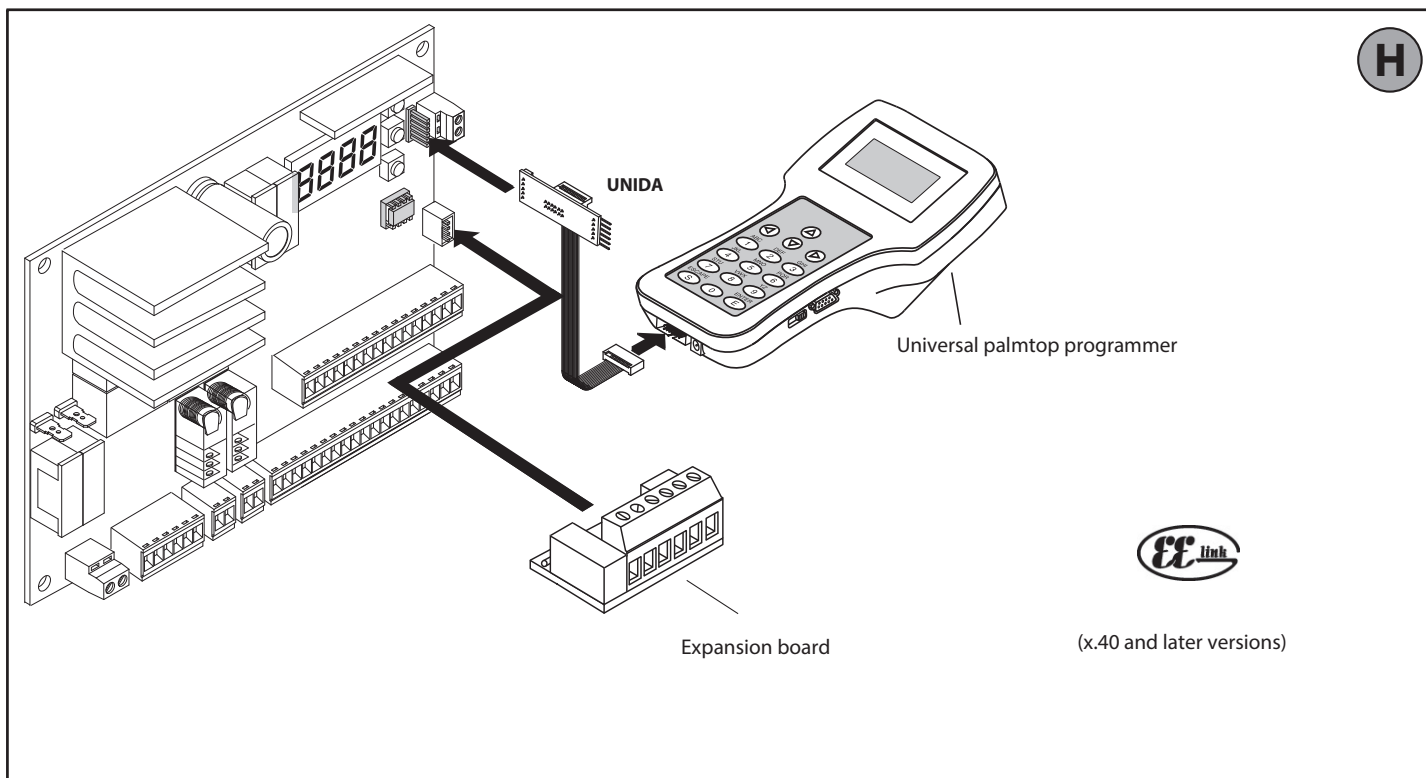
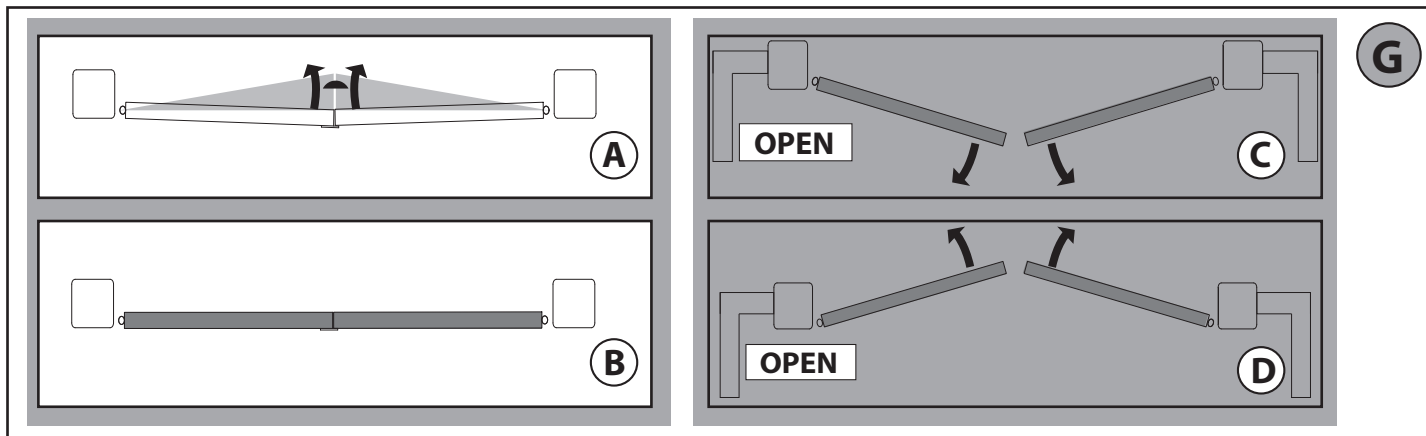
### LEGENDA

- + ↑ Scroll up
- ↓ Scroll own
- OK ↵ Confirm/ Switch on display
- +/- Exit menu

PRESET	DEFAULT	Rr	Sr	Rc	Sc	Ind
<b>PARAMETERS</b>						
<b>LOGIC</b>						
TCA	0	1	0	1	0	0
Step-by-step movement	0	1	0	1	0	0
Pre-alarm	0	0	0	1	1	0
Deadman	0	0	0	0	0	1
Block pulses during opening	0	0	0	1	1	0

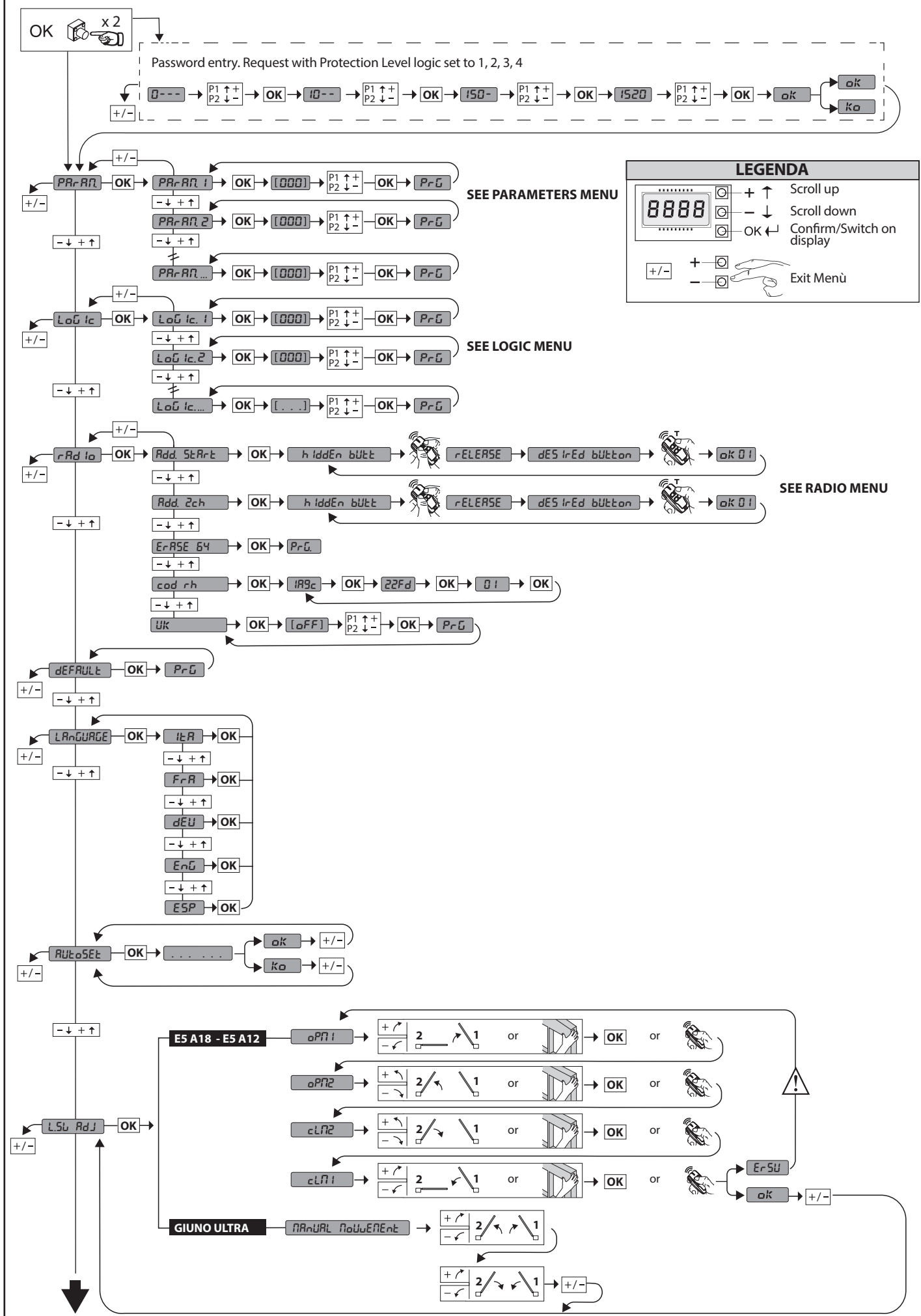




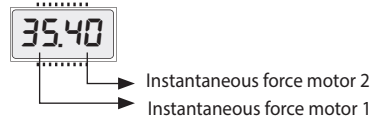
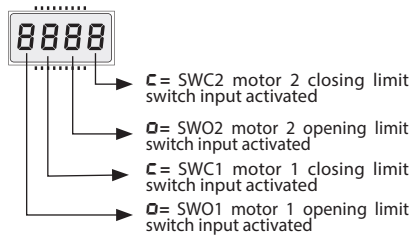
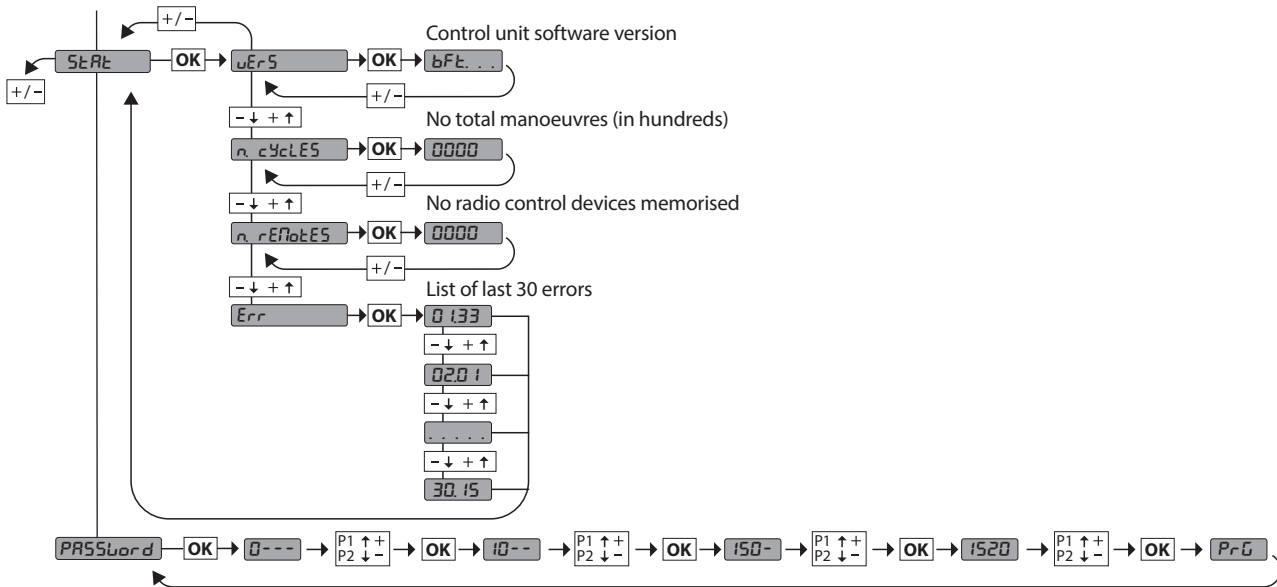


# ACCESS MENUS FIG. 1

D814124.0AA00\_01



# ACCESS MENUS FIG. 1



Diagnostics code	DESCRIPTION	NOTES
StRE	START E external start input activated	
StRI	START I internal start input activated	
oPEn	OPEN input activated	
cLS	CLOSE input activated	
PEd	PED pedestrian input activated	
t iPE	TIMER input activated	
StoP	STOP input activated	
PhoE	Activation of PHOT photocell input or, if configured as verified photocell, Activation of the associated FAULT input	
PhoP	Activation of PHOT OP opening photocell input or, if configured as active verified photocell only when opening, Activation of the associated FAULT input	
PhoC	Activation of PHOT CL closing photocell input or, if configured as active verified photocell only when closing, Activation of the associated FAULT input	
bAR	Activation of BAR safety edge input or, if configured as verified safety edge, Activation of the associated FAULT input	
bARo	Activation of BAR safety edge input with ACTIVE reversal ONLY WHILE OPENING, or, if configured as verified safety edge active only while opening, Activation of the associated FAULT input	
bARc	Activation of BAR safety edge input with ACTIVE reversal ONLY WHILE CLOSING, or, if configured as verified safety edge active only while closing, Activation of the associated FAULT input	
SEt	The board is standing by to perform a complete opening-closing cycle uninterrupted by intermediate stops in order to acquire the torque required for movement. WARNING! Obstacle detection not active	
Er01	Photocell test failed	Check photocell connection and/or logic settings
Er02	Safety edge test failed	Check safety edge connection and/or logic settings
Er03	Opening photocell test failed	Check photocell connection and/or parameter/logic setting
Er04	Closing photocell test failed	Check photocell connection and/or parameter/logic setting
Er06	8k2 safety edge test failed	Check safety edge connection and/or parameter/logic settings
Er07	Opening safety edge test failed	Check safety edge connection and/or parameter/logic settings
Er08	Closing safety edge test failed	Check safety edge connection and/or parameter/logic settings
Er1H*	Board hardware test error	- Check connections to motor - Hardware problems with board (contact technical assistance)
Er2H*	Encoder error	- Motor or encoder signal power cables inverted/disconnected or incorrect programming (see Fig. E) - Actuator movement is too slow or stopped with respect to programmed operation.
Er3H*	Reverse due to obstacle - Amperostop	Check for obstacles in path
Er4H*	Thermal cutout	Allow automated device to cool
Er5H*	Communication error with remote devices	Check connection with serial-connected accessory devices and/or expansion boards
Er70, Er71, Er74, Er75	Internal system supervision control error.	Try switching the board off and back on again. If the problem persists, contact the technical assistance department.
Er72	Consistency error of the control unit's parameters (Logics and Parameters)	Pressing OK the detected settings are confirmed. The board will keep on working with the detected settings. ⚠ <b>The board settings must be checked (Parameters and Logics)</b>
Er73	D-track parameter error	Pressing OK, the board will keep on working with D-track as a default. ⚠ <b>An autoset is required</b>
Er5L	Error during limit switch adjustment Only for E5 BT A18 / E5 BT A12	Motor or encoder signal power cables inverted/disconnected or incorrect programming. (see Fig. E)
ErF3	Error in the configuration of the logics (SAFE inputs, motor type)	Check that the SAFE logic or motor type configuration is correct.
ErF9	Solenoid lock output overload	- Check lock connections - Unsuitable lock

\*H= 0, 1, .., 9, A, B, C, D, E, F

# INSTALLATION MANUAL

## 2) GENERAL INFORMATION

The **THALIA P** control panel comes with standard factory settings. Any change must be made using the programmer with built-in display or universal handheld programmer. The Control unit completely supports the EELINK protocol. Its main features are:

- Control of 1 or 2 24V BT motors
- Note: 2 motors of the same type must be used.
- Electronic torque control with obstacle detection
- Limit switch control inputs based on motor selected
- Separate inputs for safety devices
- Built-in radio receiver rolling code with transmitter cloning.

The board has a terminal strip of the removable kind to make maintenance or replacement easier. It comes with a series of prewired jumpers to make the installer's job on site easier.

**The jumpers concern terminals: 70-71, 70-72, 70-74, 76-77, 76-79, 81-82, 81-84. If the above-mentioned terminals are being used, remove the relevant jumpers.**

## TESTING

The **THALIA P** panel controls (checks) the start relays and safety devices (photo-cells) before performing each opening and closing cycle. If there is a malfunction, make sure that the connected devices are working properly and check the wiring.

## 3) TECHNICAL SPECIFICATIONS

Power supply	220-230V 50/60Hz(*)
Low voltage/mains insulation	> 2MΩm 500V ---
Operating temperature range	-10 / +55°C
Thermal overload protection	Software
Dielectric rigidity	mains/LV 3750V~ for 1 minute
Motor output current	max. 7.5A+7.5A

Motor relay switching current	10A
Maximum motor power	240W + 240W (24V --- ; max. 50°C)
Accessories power supply	24V~ (demand max. 1A) 24V~safe
AUX 0	NO 24V ---powered contact (max.1A)
AUX 1	NO 220-230V~ powered contact (max.5A)
AUX 2	NO contact (220-230V~/max.5A)
AUX 3	NO contact (24V~/max.1A)
LOCK	Output for 12/24V--- solenoid lock: Solenoid latch (max. 30 W) Magnetic (max. 15 W)
Dimensions	see <b>Fig. B</b>
Fuses	see <b>Fig. C</b>
N° of combinations	4 billion
Max.n° of transmitters that can be memorized	63

(\*other voltages to order)

**Usable transmitter versions:**

**All ROLLING CODE transmitters compatible with ((€R-Ready))**

## 4) TUBE ARRANGEMENT Fig. A

## 5) TERMINAL BOARD WIRING Fig. C

**WARNINGS** - When performing wiring and installation, refer to the standards in force and, whatever the case, apply good practice principles.

Wires carrying different voltages must be kept physically separate from each other, or they must be suitably insulated with at least 1mm of additional insulation. Wires must be secured with additional fastening near the terminals, using devices such as cable clamps.

All connecting cables must be kept far enough away from the dissipater.

	Terminal	Definition	Description
Power supply	L	LINE	Single-phase power supply 220-230V 50/60Hz(*)
	N	NEUTRAL	
	JP5	TRANSF PRIM	Transformer primary winding connection, 220-230V.
	JP7		
	JP21	TRANSF SEC	Board power supply: 24V~ Transformer secondary winding 24V= Buffer battery power supply
Motor	10	MOT1 +	Connection motor 1. Time lag during closing. Check connections shown in Fig.E
	11	MOT1 -	
	14	MOT2 +	Connection motor 2. Time lag during opening. Check connections shown in Fig.E
	15	MOT2 -	
Aux	20	AUX 0 - 24V POWERED CONTACT (N.O.) (MAX. 1A)	AUX 0 configurable output - Default setting FLASHING LIGHT. 2ND RADIO CHANNEL/ SCA GATE OPEN LIGHT/ COURTESY LIGHT command/ ZONE LIGHT command/ STAIR LIGHT/ GATE OPEN ALARM/ FLASHING LIGHT/ SOLENOID LATCH/ MAGNETIC LOCK/ MAINTENANCE/ FLASHING LIGHT AND MAINTENANCE. Refer to "AUX output configuration" table.
	21		
	22	AUX 1 - 220-230V~ POWERED CONTACT (Max. 5A)	AUX 1 configurable output - Default setting ZONE LIGHT Output. 2ND RADIO CHANNEL/ SCA GATE OPEN LIGHT/ COURTESY LIGHT/ ZONE LIGHT/ STAIR LIGHT/ GATE OPEN ALARM/ FLASHING LIGHT/ SOLENOID LATCH/ MAGNETIC LOCK. Refer to "AUX output configuration" table.
	23		
	24	AUX 2 - FREE CONTACT (N.O.) (Max. 220-230V 5A)	AUX 2 configurable output - Default setting SCA GATE OPEN LIGHT Output. 2ND RADIO CHANNEL/ SCA GATE OPEN LIGHT/ COURTESY LIGHT command/ ZONE LIGHT command/ STAIR LIGHT/ GATE OPEN ALARM/ FLASHING LIGHT/ SOLENOID LATCH/ MAGNETIC LOCK. Refer to "AUX output configuration" table.
	25		
	26	AUX 3 - FREE CONTACT (N.O.) (Max. 24V 1A)	AUX 3 configurable output - Default setting 2ND RADIO CHANNEL Output. 2ND RADIO CHANNEL/ SCA GATE OPEN LIGHT/ COURTESY LIGHT command/ ZONE LIGHT command/ STAIR LIGHT/ GATE OPEN ALARM/ FLASHING LIGHT/ SOLENOID LATCH/ MAGNETIC LOCK. Refer to "AUX output configuration" table.
	27		
		LOCK 12V/24 ---	Type of lock logic= 0 - 12V--- solenoid latch output (max. 30W). Output activated with a pulse each time gate is opened.
	28		Type of lock logic= 1 - 12V--- magnetic lock output (max. 15W). Output activated when gate is closed.
29	Type of lock logic= 2 - 24V--- solenoid latch output (max. 30W). Output activated with a pulse each time gate is opened. Type of lock logic= 3 - 24V--- magnetic lock output (max. 15W). Output activated when gate is closed.		
Limit switch for PHOBOS N BT - ELI 250 BT VIRGO SMART BT A SUB BT PHOBOS BT A - KUSTOS BT A ELI BT A40 LS 5 wires	41	+ REF SWE	Limit switch common
	42	SWC 1	Motor 1 closing limit switch SWC1 (N.C.).
	43	SWO 1	Motor 1 opening limit switch SWO1 (N.C.).
	44	SWC 2	Motor 2 closing limit switch SWC2 (N.C.).
	45	SWO 2	Motor 2 opening limit switch SWO2 (N.C.).
Limit switch for PHOBOS N BT - IGEA BT SUB BT PHOBOS BT A - KUSTOS BT A VIRGO SMART BT A 3 wires	42	SW 1	Limit switch control motor 1. For actuators with single-wire limit switch control.
	43	SW 2	Limit switch control motor 2. For actuators with single-wire limit switch control.



# INSTALLATION MANUAL

	Terminal	Definition	Description
Limit switch for GIUNO ULTRA BT A20 GIUNO ULTRA BT A50 E5 BT A18 E5 BT A12	40	- REF SWE	Limit switch common
	42	SW 1	Limit switch control motor 1.
	43	SW 2	Limit switch control motor 2.
Limit switch for ELI BT A35 ELI BT A40	40	- REF SWE	Encoder power supply, white cable
	41	+ REF SWE	Encoder power supply, brown cable
	42	ENC M1	Engine 1 encoder signal, green cable ⚠️ Close the jumper JP30
	43	ENC M2	Engine 2 encoder signal, green cable ⚠️ Close the jumper JP31
Accessories power supply	50	24V-	Accessories power supply output.
	51	24V+	
	52	24 Vsafe+	Tested safety device power supply output (photocell transmitter and safety edge transmitter). Output active only during operating cycle.
Commands	60	Common	IC 1 and IC 2 inputs common
	61	IC 1	Configurable command input 1 (N.O.) - Default START E. START E / START I / OPEN / CLOSE / PED / TIMER / TIMER PED Refer to the "Command input configuration" table.
	62	IC 2	Configurable command input 2 (N.O.) - Default PED. START E / START I / OPEN / CLOSE / PED / TIMER / TIMER PED Refer to the "Command input configuration" table.
	63	Common	IC 3 and IC 4 inputs common
	64	IC 3	Configurable command input 3 (N.O.) - Default OPEN. START E / START I / OPEN / CLOSE / PED / TIMER / TIMER PED Refer to the "Command input configuration" table.
	65	IC 4	Configurable command input 4 (N.O.) - Default CLOSE. START E / START I / OPEN / CLOSE / PED / TIMER / TIMER PED Refer to the "Command input configuration" table.
Safety devices	70	Common	STOP, SAFE 1 and SAFE 2 inputs common
	71	STOP	The command stops movement. (N.C.) If not used, leave jumper inserted.
	72	SAFE 1	Configurable safety input 1 (N.C.) - Default PHOT. PHOT / PHOT TEST / PHOT OP / PHOT OP TEST / PHOT CL / PHOT CL TEST / BAR / BAR TEST / BAR 8K2 / BAR OP / BAR OP TEST / BAR 8K2 OP / BAR CL / BAR CL TEST / BAR 8K2 CL. Refer to the "Safety input configuration" table.
	73	FAULT 1	Test input for safety devices connected to SAFE 1.
	74	SAFE 2	Configurable safety input 2 (N.C.) - Default BAR. PHOT / PHOT TEST / PHOT OP / PHOT OP TEST / PHOT CL / PHOT CL TEST / BAR / BAR TEST / BAR 8K2 / BAR OP / BAR OP TEST / BAR 8K2 OP / BAR CL / BAR CL TEST / BAR 8K2 CL. Refer to the "Safety input configuration" table.
	75	FAULT 2	Test input for safety devices connected to SAFE 2.
	76	Common	SAFE 3 and SAFE 4 inputs common
	77	SAFE 3	Configurable safety input 3 (N.C.) - Default PHOT OP. PHOT / PHOT TEST / PHOT OP / PHOT OP TEST / PHOT CL / PHOT CL TEST / BAR / BAR TEST / BAR OP / BAR OP TEST / BAR CL / BAR CL TEST / Refer to the "Safety input configuration" table.
	78	FAULT 3	Test input for safety devices connected to SAFE 3.
	79	SAFE 4	Configurable safety input 4 (N.C.) - Default PHOT CL. PHOT / PHOT TEST / PHOT OP / PHOT OP TEST / PHOT CL / PHOT CL TEST / BAR / BAR TEST / BAR OP / BAR OP TEST / BAR CL / BAR CL TEST / Refer to the "Safety input configuration" table.
	80	FAULT 4	Test input for safety devices connected to SAFE 4.
	81	Common	SAFE 5 and SAFE 6 inputs common
	82	SAFE 5	Configurable safety input 5 (N.C.) - Default PHOT. PHOT / PHOT TEST / PHOT OP / PHOT OP TEST / PHOT CL / PHOT CL TEST / BAR / BAR TEST / BAR OP / BAR OP TEST / BAR CL / BAR CL TEST / Refer to the "Safety input configuration" table.
	83	FAULT 5	Test input for safety devices connected to SAFE 5.
84	SAFE 6	Configurable safety input 6 (N.C.) - Default BAR. PHOT / PHOT TEST / PHOT OP / PHOT OP TEST / PHOT CL / PHOT CL TEST / BAR / BAR TEST / BAR OP / BAR OP TEST / BAR CL / BAR CL TEST / Refer to the "Safety input configuration" table.	
85	FAULT 6	Test input for safety devices connected to SAFE 6.	
Antenna	Y	ANTENNA	Antenna input.
	#	SHIELD	Use an antenna tuned to 433MHz. Use RG58 coax cable to connect the Antenna and Receiver. Metal bodies close to the antenna can interfere with radio reception. If the transmitter's range is limited, move the antenna to a more suitable position.

### AUX output configuration

Aux logic= 0 - 2ND RADIO CHANNEL output. Contact stays closed for 1s when 2nd radio channel is activated.
Aux logic= 1 - SCA GATE OPEN LIGHT output. Contact stays closed during opening and with leaf open, intermittent during closing, open with leaf closed.
Aux logic= 2 - COURTESY LIGHT command output. Contact stays on for 90 seconds after the last operation.
Aux logic= 3 - ZONE LIGHT command output. Contact stays closed for the full duration of operation.
Aux logic= 4 - STAIR LIGHT output. Contact stays closed for 1 second at start of operation.
Aux logic= 5 - GATE OPEN ALARM output. Contact stays closed if the leaf stays open for double the set TCA time.
Aux logic= 6 - FLASHING LIGHT output. Contact stays closed while leaves are operating.



table.

4. Check the impact forces again: if they fall within the limits (\*\*) skip to point 10 of the procedure, otherwise
  5. Apply a shock absorber profile
  6. Check the impact forces again: if they fall within the limits (\*\*) skip to point 10 of the procedure, otherwise
  7. Apply pressure-sensitive or electro-sensitive protective devices (such as a safety edge) (\*\*)
  8. Check the impact forces again: if they fall within the limits (\*\*) skip to point 10 of the procedure, otherwise
  9. Allow the drive to move only in "Deadman" mode
  10. Make sure all devices designed to detect obstacles within the system's operating range are working properly
- (\*) Before running the autosest function, make sure you have performed all the assembly and make-safe operations correctly, as set out in the installation warnings in the drive's manual.  
(\*\*) Based on the risk analysis, you may find it necessary to apply sensitive protective devices anyway

### 8.8) LIMIT STOP ADJUSTMENT MENU (r-EG. Fc)

Used to adjust the limit stops for motors equipped with encoder; moreover, for motors equipped with independent limit stop wiring harness allows the correct positioning of the leaf for the subsequent limit stop adjustment. For motors not specified, the menu is not active and the message "unavailable" is shown on the display.  
NOTE: these manoeuvres are performed in person preset mode, at slow speed, without the intervention of the safety devices.

#### 8.8.1) GIUNO ULTRA BT A20, GIUNO ULTRA BT A50

Using the „+/-“ buttons on the display, bring the leaf in the desired position. To adjust the limit stops, refer to the settings for limit stop adjustment provided in the GIUNO ULTRA motor manual.

#### 8.8.2) E5 BT A12, E5 BT A18

Using the „+/-“ buttons on the display, bring the leaf in the position indicated by the display (opening or closing). Once the desired position is reached, confirm the position by pressing the OK button. For E5 motors, the leaf can be manually positioned close to the limit stops by pushing the gate; then move the gate using the „+/-“ button until it is against the mechanical stopper. To confirm the position, or use the OK button or the radio control (previously stored).

### 8.9) STATISTICS MENU

Used to view the version of the board, the total number of operations (in hundreds), the number of transmitters memorized and the last 30 errors (the first 2 digits indicate the position, the last 2 give the error code). Error 01 is the most recent.

### 8.10) PASSWORD MENU

Used to set a password for the board's wireless programming via the U-link network. With "PROTECTION LEVEL" logic set to 1,2,3,4, the password is required to access

the programming menus. After 10 consecutive failed attempts to log in, you will need to wait 3 minutes before trying again. During this time, whenever an attempt is made to log in, the display will read "BLOC". The default password is 1234.

### 9) CLOSING LIMIT SWITCH PRESSURE Fig. G Ref. A-B OPENING DIRECTION Fig. E

### 10) CONNECTION WITH EXPANSION BOARDS AND UNIVERSAL HANDHELD PROGRAMMER VERSION> V1.40 (Fig. H) Refer to specific manual.

### 11) U-LINK OPTIONAL MODULES

Refer to the U-link instructions for the modules.  
The use of some models causes lowered radio capacity. Adjust the system using an appropriate antenna tuned to 433MHz.

### 12) RESTORING FACTORY SETTINGS (Fig.I)

**WARNING:** this operation will restore the control unit's factory settings and all transmitters stored in its memory will be deleted.

**WARNING!** Incorrect settings can result in damage to property and injury to people and animals.

- Cut off power to the board (Fig.I ref.1)
- Open the Stop input and press the - and OK keys together (Fig.I ref.2)
- Switch on the board's power (Fig.I ref.3)
- The display will read RST; confirm within 3 sec. by pressing the OK key (Fig.I ref.4)
- Wait for the procedure to finish (Fig.I ref.5)
- Procedure finished (Fig.I ref.6)

**WARNING! Incorrect settings can result in damage to property and injury to people and animals.**

**WARNING: Check that the force of impact measured at the points provided for by standard EN 12445 is lower than the value laid down by standard EN 12453.**

**Impact forces can be reduced by using deformable edges.**

For best results, it is advisable to run the autosest function with the motors idle (i.e. not overheated by a considerable number of consecutive operations).

TABLE "A" - PARAMETERS MENU - (PR-RF)

Parameter	min.	max.	Default	Personal	Definition	Description
oPEn dELAY t INE	0	10	3		Motor 2 opening delay time [s]	Motor 2 opening delay time with respect to motor 1.
cLS dELAY t INE	0	25	6		Motor 1 closing delay time [s]	Motor 1 closing delay time with respect to motor 2. <b>NOTE:</b> if the time is set to maximum, before starting, engine 1 waits for the complete shut down of engine 2.
t cR	0	120	10		Automatic closing time [s]	Waiting time before automatic closing.
t rFLGht. cLr t	1	180	40		Time-to-clear traffic light zone [s]	Time-to-clear for the zone run through by traffic controlled by the traffic light.
oPd iSt. SlOwD	0	50	10		Slow-down distance during opening [%]	Slow-down distance for motor(s) during opening, given as a percentage of total travel. <b>WARNING: Once the parameter has been edited, a complete uninterrupted opening-closing cycle is required.</b> <b>WARNING: when the display reads "SET", obstacle detection is not active.</b> <b>ATTENTION: with actuators with integrated locks, the permanently active slowdown to a value higher than 5 is mandatory.</b> <b>WARNING: in GIUNO, the slow-down distance is set with the sliding sensors</b> <b>ATTENTION: for the ELI BT A35 engine type, the slowing cannot be excluded; values below 10% will be considered to be 10%.</b>
cLd iSt. SlOwD	0	50	10		Slow-down distance during closing [%]	Slow-down distance for motor(s) during closing, given as a percentage of total travel. <b>WARNING: Once the parameter has been edited, a complete uninterrupted opening-closing cycle is required.</b> <b>WARNING: when the display reads "SET", obstacle detection is not active.</b> <b>ATTENTION: with actuators with integrated locks, the permanently active slowdown to a value higher than 5 is mandatory.</b> <b>WARNING: in GIUNO, the slow-down distance is set with the sliding sensors.</b> <b>ATTENTION: for the ELI BT A35 engine type, the slowing cannot be excluded; values below 10% will be considered to be 10%.</b>
d iSt.dEcEL	0	50	15		Deceleration distance [%]	Deceleration distance (switch from running speed to slow-down speed) for motor(s) both during opening and during closing, given as a percentage of total travel. <b>WARNING: Once the parameter has been edited, a complete uninterrupted opening-closing cycle is required.</b> <b>WARNING: when the display reads "SET", obstacle detection is not active.</b>
PR-t iRL oPEn INg	10	99	99		Partial opening M1 [%]	Partial opening distance as a percentage of total opening following activation of PED pedestrian command.
oPFoRcE	1	99	50		Leaf force during opening [%]	Force exerted by leaf/leaves during opening. This is the percentage of force delivered, beyond the force stored during the autosest cycle (and subsequently updated), before an obstacle alarm is generated. The parameter is set automatically by the autosest function. <b>WARNING: It affects impact force directly: make sure that current safety requirements are met with the set value (*). Install anti-crush safety devices where necessary (**).</b>

# INSTALLATION MANUAL

D814124.00AA00\_01

Parameter	min.	max.	Default	Personal	Definition	Description
<i>cLSForce</i>	1	99	50		<b>Leaf force during closing [%]</b>	Force exerted by leaf/leaves during closing. This is the percentage of force delivered, beyond the force stored during the autoset cycle (and subsequently updated), before an obstacle alarm is generated. The parameter is set automatically by the autoset function. <b>WARNING: It affects impact force directly: make sure that current safety requirements are met with the set value (*). Install anti-crush safety devices where necessary (**).</b>
<i>oP SPEED</i>	15	99	99		<b>Opening speed [%]</b>	Percentage of maximum speed that can be reached by motor(s) during opening. <b>WARNING: Once the parameter has been edited, a complete uninterrupted opening-closing cycle is required. WARNING: when the display reads "SET", obstacle detection is not active.</b>
<i>cL SPEED</i>	15	99	99		<b>Closing speed [%]</b>	Percentage of maximum speed that can be reached by motor(s) during closing. <b>WARNING: Once the parameter has been edited, a complete uninterrupted opening-closing cycle is required. WARNING: when the display reads "SET", obstacle detection is not active.</b>
<i>Slow SPEED</i>	15	99	25		<b>Slow-down speed [%]</b>	Opening and closing speed of motor(s) during slow-down stage, given as a percentage of maximum running speed. <b>WARNING: Once the parameter has been edited, a complete uninterrupted opening-closing cycle is required. WARNING: When the display reads ""SET"", obstacle detection is not active. ATTENTION: for motor type ELI BT A35 it is not possible to exclude the deceleration; values greater than 50% will be considered at 50%.</b>
<i>MAINTENANCE</i>	0	250	0		<b>Programming number of operations for maintenance threshold [in hundreds]</b>	Allows you to set a number of operations after which the need for maintenance will be reported on the AUX output configured as Maintenance or Flashing Light and Maintenance.

(\*) In the European Union, apply standard EN 12453 for force limitations, and standard EN 12445 for measuring method.

(\*\*) Impact forces can be reduced by using deformable edges.

TABLE "B" - LOGIC MENU - (Logic)

Logic	Definition	Default	Cross out setting used	Optional extras																												
<i>Motor type</i>	<b>Motor type</b> (Set the type of motor connected to the board).	0	0	Motors not active																												
			1	ELI 250 BT																												
			2	PHOBOS N BT																												
			3	IGEA BT																												
			4	NOT MANAGED																												
			5	NOT MANAGED																												
			6	SUB BT																												
			7	KUSTOS BT A - PHOBOS BT A																												
			8	GIUNO ULTRA BT A20 - GIUNO ULTRA BT A 50																												
			9	VIRGO SMART BT A - 5 wires																												
			10	VIRGO SMART BT A - 3 wires																												
			11	E5 BT A18																												
			12	E5 BT A12																												
			13	ELI BT A40 LS																												
			14	ELI BT A35 LS																												
			15	ELI BT A35																												
16	ELI BT A40																															
<i>tCR</i>	<b>Automatic Closing Time</b>	0	0	Logic not enabled																												
			1	Switches automatic closing on																												
<i>FAST cLS.</i>	<b>Fast closing</b>	0	0	Logic not enabled																												
			1	Closes 3 seconds after the photocells are cleared before waiting for the set TCA to elapse.																												
<i>STEP-BY-STEP MOVEMENT</i>	<b>Step-by-step movement</b>	0	0	Inputs configured as Start E, Start I, Ped operate with 4-step logic.																												
			1	Inputs configured as Start E, Start I, Ped operate with 3-step logic. Pulse during closing reverses movement.																												
			2	Inputs configured as Start E, Start I, Ped operate with 2-step logic. Movement reverses with each pulse.																												
				<table border="1" style="width: 100%; border-collapse: collapse;"> <thead> <tr> <th colspan="4">step-by-step mov.</th> </tr> <tr> <th></th> <th>2 STEP</th> <th>3 STEP</th> <th>4 STEP</th> </tr> </thead> <tbody> <tr> <td>CLOSED</td> <td></td> <td></td> <td>OPENS</td> </tr> <tr> <td>DURING CLOSING</td> <td>OPENS</td> <td>OPENS</td> <td>STOPS</td> </tr> <tr> <td>OPEN</td> <td></td> <td>CLOSES</td> <td>CLOSES</td> </tr> <tr> <td>DURING OPENING</td> <td>CLOSES</td> <td>STOP + TCA</td> <td>STOP + TCA</td> </tr> <tr> <td>AFTER STOP</td> <td>OPENS</td> <td>OPENS</td> <td>OPENS</td> </tr> </tbody> </table>	step-by-step mov.					2 STEP	3 STEP	4 STEP	CLOSED			OPENS	DURING CLOSING	OPENS	OPENS	STOPS	OPEN		CLOSES	CLOSES	DURING OPENING	CLOSES	STOP + TCA	STOP + TCA	AFTER STOP	OPENS	OPENS	OPENS
step-by-step mov.																																
	2 STEP	3 STEP	4 STEP																													
CLOSED			OPENS																													
DURING CLOSING	OPENS	OPENS	STOPS																													
OPEN		CLOSES	CLOSES																													
DURING OPENING	CLOSES	STOP + TCA	STOP + TCA																													
AFTER STOP	OPENS	OPENS	OPENS																													
<i>PRE-ALARM</i>	<b>Pre-alarm</b>	0	0	The flashing light comes on at the same time as the motor(s) start.																												
			1	The flashing light comes on approx. 3 seconds before the motor(s) start.																												
<i>hold-to-run</i>	<b>Deadman</b>	0	0	Pulse operation.																												
			1	Deadman mode. Input 61 is configured as OPEN UP. Input 62 is configured as CLOSE UP. Operation continues as long as the OPEN UP or CLOSE UP keys are held down. <b>WARNING: safety devices are not enabled.</b>																												
			2	Emergency Deadman mode. Usually pulse operation. If the board fails the safety device tests (photocell or safety edge, Er0x) 3 times in a row, the device is switched to Deadman mode, which will stay active until the OPEN UP or CLOSE UP keys are released. Input 61 is configured as OPEN UP. Input 62 is configured as CLOSE UP. <b>WARNING: with the device set to Emergency Deadman mode, safety devices are not enabled.</b>																												

# INSTALLATION MANUAL

Logic	Definition	Default	Cross out setting used	Optional extras
ibl oPEn	Block pulses during opening	0	0	Pulse from inputs configured as Start E, Start I, Ped has effect during opening.
			1	Pulse from inputs configured as Start E, Start I, Ped has no effect during opening.
ibl tCA	Block pulses during TCA	0	0	Pulse from inputs configured as Start E, Start I, Ped has effect during TCA pause.
			1	Pulse from inputs configured as Start E, Start I, Ped has no effect during TCA pause.
ibl cLOSE	Block pulses during closing	0	0	Pulse from inputs configured as Start E, Start I, Ped has effect during closing.
			1	Pulse from inputs configured as Start E, Start I, Ped has no effect during closing.
rAN bLob c.oP	Hammer during opening	0	0	Logic not enabled
			1	Before opening completely, the gate pushes for approx. 2 seconds as it closes. This allows the solenoid lock to be released more easily. <b>IMPORTANT - Do not use this function if suitable mechanical stops are not in place.</b>
rAN bLob c.cL	Hammer during closing	0	0	Logic not enabled
			1	Before closing completely, the gate pushes for approx. 2 seconds as it opens. This allows the solenoid lock to be released more easily. <b>IMPORTANT - Do not use this function if suitable mechanical stops are not in place.</b>
bLoc PER5 ISt	Stop maintenance	0	0	Logic not enabled
			1	If motors stay idle in fully open or fully closed position for more than one hour, they are switched on in the direction of the stop for approx. 3 seconds. This operation is performed every hour. NB: In hydraulic motors, this function serves to compensate a possible reduction in the volume of oil due to a drop in temperature during extended pauses, such as during the night, or due to internal leakage. <b>IMPORTANT - Do not use this function if suitable mechanical stops are not in place.</b>
PrESS SLoc	Closing limit switch pressure	0	0	Movement is stopped only when the closing limit switch trips: in this case, the tripping of the closing limit switch must be adjusted accurately (Fig.G Ref.B).
			1	Use when there is a mechanical stop in closed position. This function allows leaves to press against the mechanical stop without the Amperostop sensor interpreting this as an obstacle. Thus the rod continues its stroke for a few seconds after meeting the closing limit switch or as far as the mechanical stop. In this way, the leaves come to rest perfectly against the stop by allowing the closing limit switches to trip slightly earlier (Fig.G Ref.A).
Ice	Ice feature	0	0	The Amperostop safety trip threshold stays at the same set value.
			1	The controller automatically adjusts the obstacle alarm trip threshold at each start up. Check that the force of impact measured at the points provided for by standard EN 12445 is lower than the value laid down by standard EN 12453. If in doubt, use auxiliary safety devices. This feature is useful when dealing with installations running at low temperatures. WARNING: once this feature has been activated, you will need to perform an autosect opening and closing cycle.
1 Mot.on	1 motor active	0	0	Both motors active (2 leaves).
			1	Only motor 1 active (1 leaf).
chRNGE Mot	Inversion of the motor's phase shift	0	0	Open: M1 starts in advance compared to M2 (opening phase shift). (See Fig.E) Closure: M2 starts in advance compared to M1 (closing phase shift). (See Fig.E) Pedestrian manoeuvre is performed by M1
			1	Open: M2 starts in advance compared to M1 (opening phase shift). (See Fig.E) Closure: M1 starts in advance compared to M2 (closing phase shift). (See Fig.E) Pedestrian manoeuvre is performed by M2
oPEn in othEr dIrEct.	Open in other direction	0	0	Standard operating mode (See Fig.E).
			1	Opens in other direction to standard operating mode (See Fig.E)
SAFE 1	Configuration of safety input SAFE 1. 72	0	0	Input configured as Phot (photocell).
			1	Input configured as Phot test (tested photocell).
			2	Input configured as Phot op (photocell active during opening only).
SAFE 2	Configuration of safety input SAFE 2. 74	6	3	Input configured as Phot op test (tested photocell active during opening only).
			4	Input configured as Phot cl (photocell active during closing only).
SAFE 3	Configuration of safety input SAFE 3. 77	2	5	Input configured as Phot cl test (tested photocell active during closing only).
			6	Input configured as Bar, safety edge.
SAFE 4	Configuration of safety input SAFE 4. 79	4	7	Input configured as Bar, tested safety edge.
			8	Input configured as Bar 8k2 ( <b>Inactive on SAFE 3,4,5,6</b> ).
SAFE 5	Configuration of safety input SAFE 4. 79	0	9	Input configured as Bar OP, safety edge with inversion active only while opening. If while closing, the movement stops.
			10	Input configured as Bar OP TEST, safety edge tested with inversion active only while opening. If while closing, the movement stops.
SAFE 6	Configuration of safety input SAFE 6. 84	6	11	Input configured as Bar OP 8k2, safety edge with inversion active only while opening. If while closing, the movement stops. <b>(Inactive on SAFE 3,4,5,6).</b>
			12	Input configured as Bar CL, safety edge with inversion active only while closing. If while opening, the movement stops.
			13	Input configured as Bar CL TEST, safety edge tested with inversion active only while closing. If while opening, the movement stops.
			14	Input configured as Bar CL 8k2, safety edge with inversion active only while closing. If while opening, the movement stops. <b>(Inactive on SAFE 3,4,5,6).</b>
IC 1	Configuration of command input IC 1. 61	0	0	Input configured as Start E.
			1	Input configured as Start I.
IC 2	Configuration of command input IC 2. 62	4	2	Input configured as Open.
			3	Input configured as Close.
IC 3	Configuration of command input IC 3. 64	2	4	Input configured as Ped.
			5	Input configured as Timer.
IC 4	Configuration of command input IC 4. 65	3	6	Input configured as Timer Pedestrian.

# INSTALLATION MANUAL


D814124 0AA00\_01

Logic	Definition	Default	Cross out setting used	Optional extras
AUX 0	Configuration of AUX 0 output. 20-21	6	0	Output configured as 2nd Radio Channel.
			1	Output configured as SCA (gate open light).
			2	Output configured as Courtesy Light command.
AUX 1	Configuration of AUX 1 output. 22-23	3	3	Output configured as Zone Light command.
			4	Output configured as Stair Light
			5	Output configured as Alarm
AUX 2	Configuration of AUX 2 output. 24-25	1	6	Output configured as Flashing light
			7	Output configured as Latch
			8	Output configured as Magnetic lock
AUX 3	Configuration of AUX 3 output. 26-37	0	9	Output configured as Maintenance
			10	Output configured as Flashing Light and Maintenance.
LOCK	Type of lock. 28-29	0	0	Output configured as 12V=== solenoid latch.
			1	Output configured as 12V=== magnetic lock.
			2	Output configured as 24V=== solenoid latch.
			3	Output configured as 24V=== magnetic lock.
FIXED CODE	Fixed code	0	0	Receiver is configured for operation in rolling-code mode. Fixed-Code Clones are not accepted.
			1	Receiver is configured for operation in fixed-code mode. Fixed-Code Clones are accepted.
Protection LEVEL	Setting the protection level	0	0	A - The password is not required to access the programming menus B - Enables wireless memorizing of transmitters. Operations in this mode are carried out near the control panel and do not require access: - Press in sequence the hidden key and normal key (T1-T2-T3-T4) of a transmitter that has already been memorized in standard mode via the radio menu. - Press within 10 sec. the hidden key and normal key (T1-T2-T3-T4) of a transmitter to be memorized. The receiver exits programming mode after 10 sec.: you can use this time to enter other new transmitters by repeating the previous step. C - Enables wireless automatic addition of clones. Enables clones generated with the universal programmer and programmed Replays to be added to the receiver's memory. D - Enables wireless automatic addition of replays. Enables programmed Replays to be added to the receiver's memory. E - The board's parameters can be edited via the U-link network
			1	A - You are prompted to enter the password to access the programming menus The default password is 1234. No change in behaviour of functions B - C - D - E from 0 logic setting
			2	A - You are prompted to enter the password to access the programming menus The default password is 1234. B - Wireless memorizing of transmitters is disabled. C - Wireless automatic addition of clones is disabled. No change in behaviour of functions D - E from 0 logic setting
			3	A - You are prompted to enter the password to access the programming menus The default password is 1234. B - Wireless memorizing of transmitters is disabled. D - Wireless automatic addition of Replays is disabled. No change in behaviour of functions C - E from 0 logic setting
			4	A - You are prompted to enter the password to access the programming menus The default password is 1234. B - Wireless memorizing of transmitters is disabled. C - Wireless automatic addition of clones is disabled. D - Wireless automatic addition of Replays is disabled. E - The option of editing the board's parameters via the U-link network is disabled. Transmitters are memorized only using the relevant Radio menu. IMPORTANT: This high level of security stops unwanted clones from gaining access and also stops radio interference, if any.
SERIAL MODE	Serial mode (Identifies how board is configured in a BFT network connection).	0	0	Standard SLAVE: board receives and communicates commands/diagnostics/etc.
			1	Standard MASTER: board sends activation commands (START, OPEN, CLOSE, PED, STOP) to other boards.
ADDRESS	Address	0	[ ___ ]	Identifies board address from 0 to 119 in a local BFT network connection. (see U-LINK OPTIONAL MODULES section)
PUSH GO	Push&Go (Only for E5 BT A12)	0	0	Logic not active
			1	Manually pushing the stopped leaf toward the opening direction determines the automatic opening.

# INSTALLATION MANUAL

Logic	Definition	Default	Cross out setting used	Optional extras
<i>EHP11</i>	<b>Configuration of EXPI1 input on input-output expansion board.</b> 1-2	1	0	Input configured as Start E command.
			1	Input configured as Start I command.
			2	Input configured as Open command.
			3	Input configured as Close command.
			4	Input configured as Ped command.
			5	Input configured as Timer command.
			6	Input configured as Timer Pedestrian command.
			7	Input configured as Phot (photocell) safety.
			8	Input configured as Phot op safety (photocell active during opening only).
			9	Input configured as Phot cl safety (photocell active during closing only).
			10	Input configured as Bar safety (safety edge).
			11	Input configured as safety Bar OP, safety edge with inversion active only while opening, if while closing the movement stops.
			12	Input configured as safety Bar CL, safety edge with inversion active only while closing, if while opening the movement stops.
			13	Input configured as Phot test safety, tested photocell. Input 3 (EXPI2) on input/output expansion board is switched automatically to safety device test input, EXPFAULT1.
			14	Input configured as Phot op test safety, tested photocell active only while opening. Input 3 (EXPI2) on input/output expansion board is switched automatically to safety device test input, EXPFAULT1.
			15	Input configured as Phot cl test safety, tested photocell active only while closing. Input 3 (EXPI2) on input/output expansion board is switched automatically to safety device test input, EXPFAULT1.
			16	Input configured as Bar safety, tested safety edge. Input 3 (EXPI2) on input/output expansion board is switched automatically to safety device test input, EXPFAULT1.
			17	Input configured as safety Bar OP test, safety edge with inversion active only while opening, if while closing the movement stops. Input 3 (EXPI2) on input/output expansion board is switched automatically to safety device test input, EXPFAULT1.
18	Input configured as safety Bar CL test, safety edge with inversion active only while closing, if while opening the movement stops. Input 3 (EXPI2) on input/output expansion board is switched automatically to safety device test input, EXPFAULT1.			
<i>EHP12</i>	<b>Configuration of EXPI2 input on input-output expansion board.</b> 1-3	0	0	Input configured as Start E command.
			1	Input configured as Start I command.
			2	Input configured as Open command.
			3	Input configured as Close command.
			4	Input configured as Ped command.
			5	Input configured as Timer command.
			6	Input configured as Timer Pedestrian command.
			7	Input configured as Phot (photocell) safety.
			8	Input configured as Phot op safety (photocell active during opening only).
			9	Input configured as Phot cl safety (photocell active during closing only).
			10	Input configured as Bar safety (safety edge).
			11	Input configured as safety Bar OP, safety edge with inversion active only while opening, if while closing the movement stops.
12	Input configured as safety Bar CL, safety edge with inversion active only while closing, if while opening the movement stops.			
<i>EHPo1</i>	<b>Configuration of EXPO1 output on input-output expansion board</b> 4-5	11	0	Output configured as 2 <sup>nd</sup> Radio Channel.
			1	Output configured as SCA (gate open light).
			2	Output configured as Courtesy Light command.
			3	Output configured as Zone Light command.
			4	Output configured as Stair Light.
			5	Output configured as Alarm.
<i>EHPo2</i>	<b>Configuration of EXPO2 output on input-output expansion board</b> 6-7	11	6	Output configured as Flashing light.
			7	Output configured as Latch.
			8	Output configured as Magnetic lock.
			9	Output configured as Maintenance.
			10	Output configured as Flashing Light and Maintenance.
			11	Output configured as Traffic Light control with TLB board.
<i>trAFF lC L iGht PrEFLASH inG</i>	<b>Traffic light pre-flashing</b>	0	0	Pre-flashing switched off.
			1	Red lights flash, for 3 seconds, at start of operation.
<i>trAFF lC L iGht rEd LAMP ALWAYS on</i>	<b>Steadily lit red light</b>	0	0	Red lights off when gate closed.
			1	Red lights on when gate closed.

**TABLE "C" – RADIO MENU (*rRd la*)**

Logic	Description
<i>Add StArt</i>	<b>Add Start Key</b> associates the desired key with the Start command
<i>Add 2ch</i>	<b>Add 2ch Key</b> associates the desired key with the 2nd radio channel command. Associates the desired key with the 2nd radio channel command. If no output is configured as 2nd Radio Channel Output, the 2nd radio channel controls the pedestrian opening.
<i>ErASE 64</i>	<b>Erase List</b>  <b>WARNING!</b> Erases all memorized transmitters from the receiver's memory.
<i>cod rH</i>	<b>Read receiver code</b> Displays receiver code required for cloning transmitters.
<i>uK</i>	<b>ON</b> = Enables remote programming of cards via a previously memorized W LINK transmitter. It remains enabled for 3 minutes from the time the W LINK transmitter is last pressed. <b>OFF</b> = W LINK programming disabled.